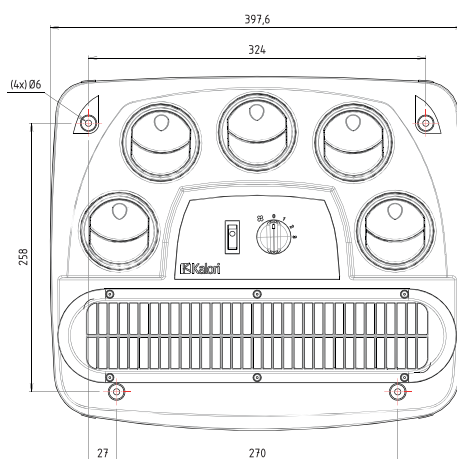
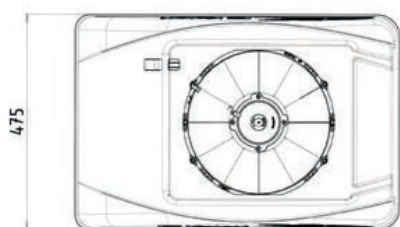
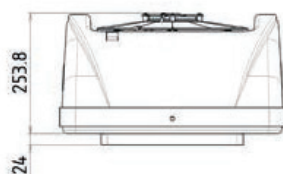




ROOF ELECTRICAL A/C UNIT

ELECTRIK

- Complete AC unit with electrical compressor
- This unit is ideal for small series or for a vehicle where it is impossible to mount a compressor.
- Check the capacity of your alternator



Cooling output	3,5 kW
Airflow	440 m ³ /h
Weight	25 kg
Ventilation speed	3
Finishing	White

VENTILATION VOLTAGE	COMPRESSOR VOLTAGE	REFERENCE	ELECTRICITY CONSUMPTION	INTENSITY
12V	12V	122.70.000	950 W	79 A
24 V	24 V	122.70.100	1560 W	65 A

EBERSPÄCHER AUS/NZ

Offered by Modular Wholesale Co. Pty Ltd
 P.O Box 4313, Dandenong
 South, VIC 3164
 PH: 1300 770 588 modularw.com.au

MW
 MODULAR WHOLESALE
 Home of Eberspächer
 Australia and New Zealand



Kalori

Eberspächer