

## CONDENSER UNIT

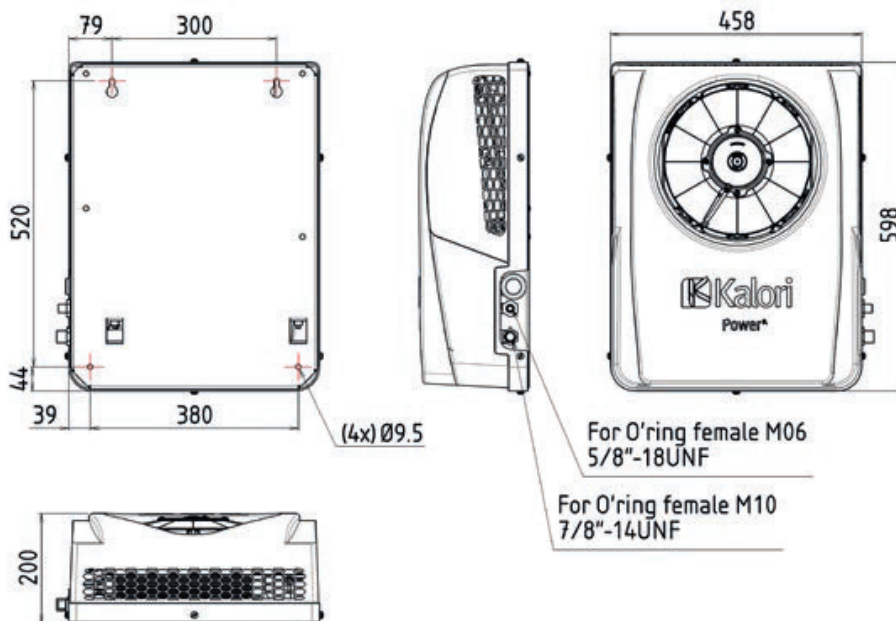
### POWER K

- External condenser unit for a/c system
- Includes an electrical compressor, condenser and dehumidifier filter.
- This unit may be attached to a standard KALORI evaporator. To fitout an electrical vehicles, select a hybrid evaporator, which includes a classic evaporator and a PTR electrical heating element.
- Version for vertical installation
- Version for horizontal installation



Cooling output	3,5 kW
Weight	20 kg
Ventilation speed	3
Finish	White
Mounting position	Vertical

VENTILATION VOLTAGE	COMPRESSOR VOLTAGE	REFERENCE	ELECTRICITY CONSUMPTION
12V	12V	126.00.001	820 W
24 V	24V	126.00.101	1500 W



EBERSPÄCHER AUS/NZ

Offered by Modular Wholesale Co. Pty Ltd  
 P.O Box 4313, Dandenong  
 South, VIC 3164  
 PH: 1300 770 588 modularw.com.au

**MW**  
 MODULAR WHOLESALE  
 Home of Eberspächer  
 Australia and New Zealand



**Kalori**

**Eberspächer**